

CONNECTS TO YOUR EXISTING DIGGA AUGER DRIVE

Cement Mixer

Digga Cement Mixer can mix anything from cement to fertilizer, it fits quickly and easily to your Digga Auger Drive
(Auger Drive sold separately)

Features:

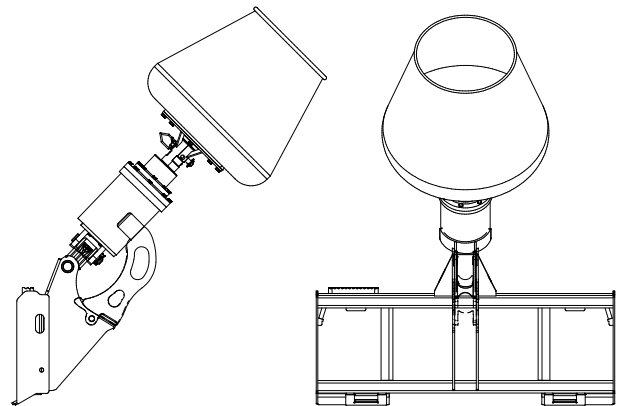
- Easy Connection. Simply pin cradle to existing auger frame and add mixer bowl. Change from drilling to mixing in under 2 minutes.
- Cement mixing attachment suits Digga auger drives and frames only. Also available for mini machines.
- Maintenance free.
- Manufactured from quality materials.

Ideal Use:

Mixing cement, mulch, animal feed, fertilizer.

Machine Suitability:

Skid Steer Loaders, Front End Loaders and Tele-Handlers.



Specifications	Small	Large
Total Capacity [^]	3.9 Cu ft / 29gal	5.7 Cu ft / 42gal
Operating Capacity *	2.5 Cu ft / 18.5gal	4 Cu ft / 30gal
Length (A)	51in	58in
Width (B)	48in	48in
Height (C)	58in	62in
Width (D) Bowl Only	23in	29in
Weight Complete with 2DSS & Frame	348lbs	381lbs
Weight (Bowl & Cradle Only)	84lbs	117lbs

(* Maximum operating capacity is measured at an operating angle of 45 degrees.

([^]) An upright position depicts total capacity.